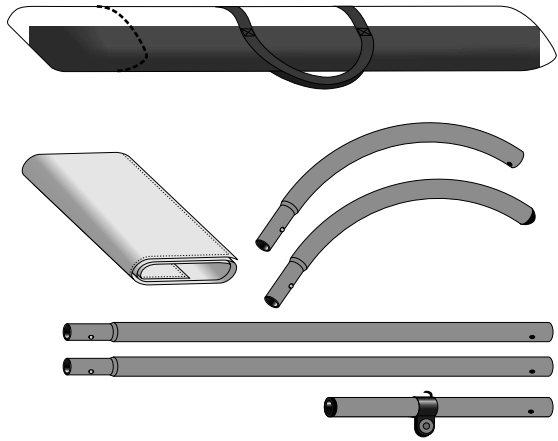
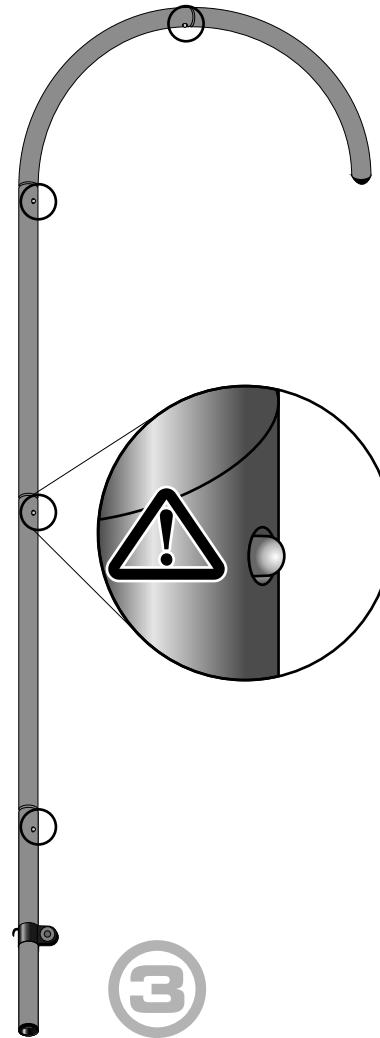
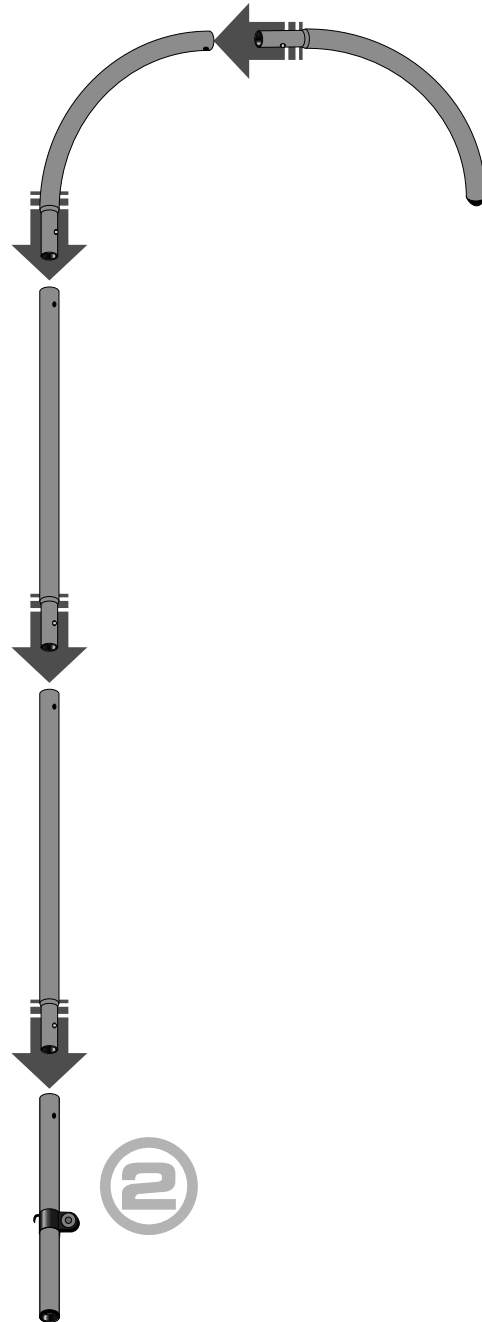


EN HOW TO INSTALL ALUMINIUM BEACHFLAGS (ASSEMBLY GUIDE)



1

- EN The aluminium beachflag set contains:
- black carry bag
 - aluminium pole (5 sections)
 - beachflag



EN Ensure the tip of the pole reached the end of the flag sleeve.